

with Installation Instructions  
**Owner's Manual**

# **Banks Monster<sup>®</sup> Dual Exhaust System**

**2004-2008 Ford F-150 (4.2L, 4.6L & 5.4L)  
(Non-Heritage models) All Bed Lengths**

FOR USE WITH SYSTEMS 47500-47505

**2009-2010 Ford F-150 5.4L  
SuperCrew Cab Only**

FOR USE WITH SYSTEM 48748

Gale Banks Engineering  
546 Duggan Avenue • Azusa, CA 91702  
(626) 969-9600 • Fax (626) 334-1743

Product Information & Sales: (888) 635-4565

**[bankspower.com](http://bankspower.com)**



# General Installation Practices

Dear Customer,

If you have any questions concerning the installation of your Banks Power System, please call our Technical Service Hotline at (888) 839-2700 between 7:00 am and 5:00 pm (PT). If you have any questions relating to shipping or billing, please contact our Customer Service Department at (888) 839-5600.

Thank you.

1. Before starting work, familiarize yourself with the installation procedure by reading all of the instructions.
2. The exploded view (**Figure 1**) provides only general guidance. Refer to each step and section diagram in this manual for proper instruction.
3. Throughout this manual, the left side of the vehicle refers to the driver's side, and the right side to the passenger's side.
4. Disconnect the negative (ground) cable from the battery (or batteries, if there are two) before beginning work.
5. Route and tie wires and hoses a minimum of 6" away from exhaust heat, moving parts and sharp edges. Clearance of 8" or more is recommended where possible.

6. When raising the vehicle, support it on properly weight-rated safety stands, ramps or a commercial hoist. Follow the manufacturer's safety precautions. Take care to balance the vehicle to prevent it from slipping or falling. When using ramps, be sure the front wheels are centered squarely on the topsides. When raising the front of the vehicle, put the transmission in park, set the parking brake, and block the rear wheels. When raising the back of the vehicle, be sure the vehicle is on level ground and the front wheels are blocked securely.

**CAUTION! DO NOT USE FLOOR JACKS TO SUPPORT THE VEHICLE WHILE WORKING UNDER IT. DO NOT RAISE THE VEHICLE ONTO CONCRETE BLOCKS, MASONRY OR ANY OTHER ITEM NOT INTENDED SPECIFICALLY FOR THIS USE.**

7. During installation, keep the work area clean. Do not allow anything to be dropped into intake, exhaust, or lubrication system components while performing the installation, as foreign objects will cause immediate engine damage upon start-up.
8. The Dual Exhaust System is designed to accommodate the factory sized spare tire. If the spare tire is oversized, it may need to be removed.

**Tools Required:**

- 1/2" and 3/8" drive ratchets with standard and metric sockets and 1/2" and 3/8" drive extension
- Standard and metric combination or open-end wrenches
- Standard screwdriver
- Clean shop towels or rags
- Pry-bar Highly recommended tools and supplies:
- Foot-pound torque wrench
- Penetrating oil or light lubricant spray

**Attention!**

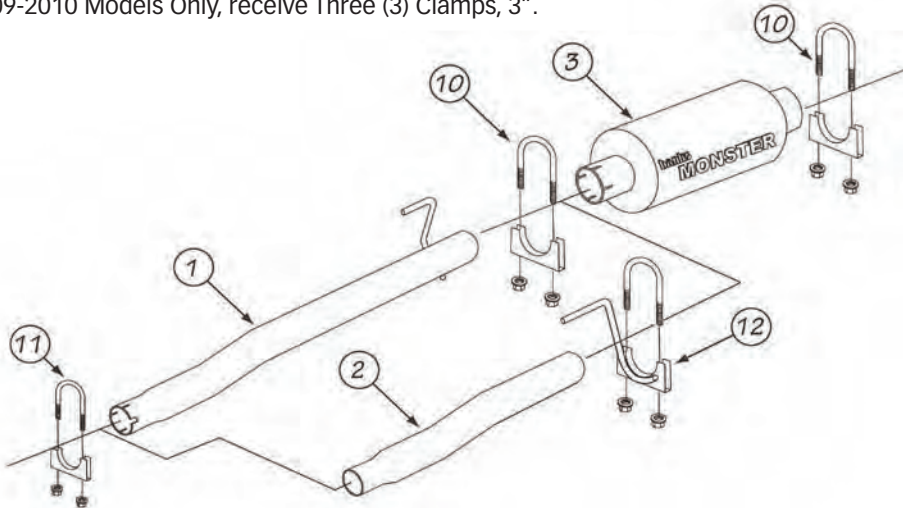
Before beginning installation verify vehicle tow package. For vehicles with factory 9900 lbs tow hitch option, Hanger Kit #53377 will be needed. Please make sure all necessary parts are acquired before beginning.

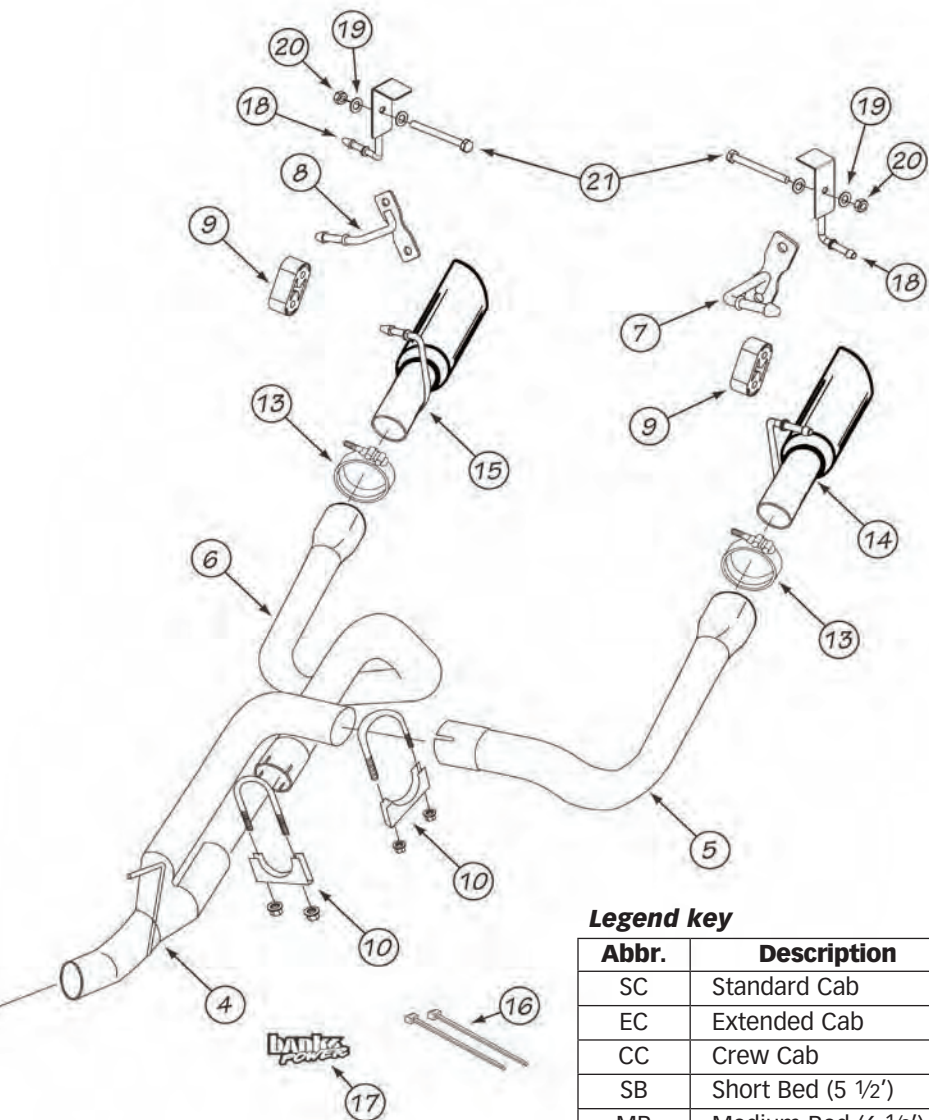
# General Assembly

**Figure 1** Bill of Materials

Item #	Description	Part #	QTY
1a	SCMB Interm. Pipe (126)	53361	1
1b	ECSB Interm. Pipe (133)	53362	1
1c	SCLB & ECMB Interm. Pipe (145)	53363	1
1d	ECLB Interm. Pipe (163)	53364	1
1e	CCSB Interm. Pipe (150)	53365	1
1f	CCMB Interm. Pipe (150)	53366	1
2	CCSB-CCMB Interm. Pipe, 2009-2010 Models Only	53380	1
3	Monster Muffler	53962	1
4	Y-pipe	53368	1
5	Left Tailpipe	53373	1
6	Right Tailpipe	53374	1
7	Left Hanger Bracket	53371	1
8	Right Hanger Bracket	53372	1
9	Rubber Hanger	53732	2
10*	Clamp, 3"	52465	4
11	Clamp, 2.50"	52461	1
12	Hanger Clamp, Front Muffler, 2009-2010 Models Only	53381	1
13	Band Clamp, 3"	52466	2
14	Tailpipe Tip Left	53378	1
15	Tailpipe Tip Right	53379	1
16	Black Cable Tie	62010	2
17	Banks Urocals	96009	2

\* 2009-2010 Models Only, receive Three (3) Clamps, 3".





**Legend key**

Abbr.	Description
SC	Standard Cab
EC	Extended Cab
CC	Crew Cab
SB	Short Bed (5 1/2')
MB	Medium Bed (6 1/2')
LB	Long Bed (8')

For Truck models with Heavy Duty Tow Package (Hanger Kit # 53377)

Item #	Description	Part #	QTY
18	Hanger Bracket	53376	2
19	Washer, SAE Flat	91402	4
20	Nut, Nylock	91415	2
21	Hex Bolt	91427	2

# Monster Exhaust System Installation

**1.** Disconnect the negative (ground) cable from the battery (if there is more than one battery, disconnect both negative cables). Secure the cable so it cannot accidentally come in contact with the post.

**2.** Raise the vehicle and support it securely with properly weight-rated safety stands, ramps or a commercial hoist. Take care to balance the vehicle to prevent it from slipping or falling. When using ramps, be sure the wheels are centered squarely on the topsides. Place the transmission in park (automatic), set the parking brake and securely block the wheels that are on the ground.

**CAUTION: DO NOT WORK UNDER ANY VEHICLE SUPPORTED ONLY BY A JACK. SEVERE INJURY MAY RESULT.**

**3.** From under the vehicle remove the factory exhaust starting at the rear of the muffler. Remove the tailpipe

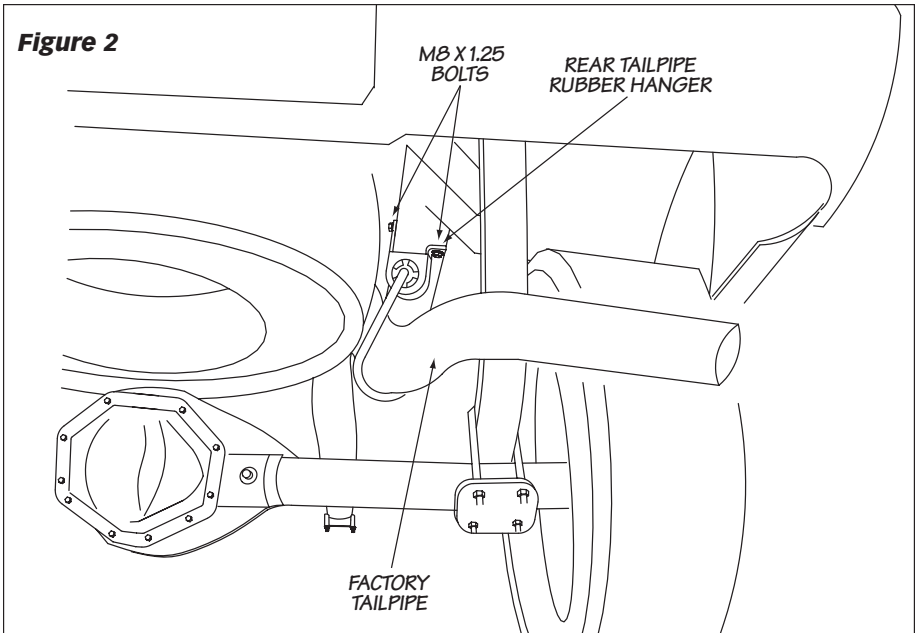
by removing and retaining the two (2) M8x1.25 bolts supporting the rear tailpipe hanger. Remove and retain the rear rubber hanger from the tailpipe (see **Figure 2**).

**4.** Loosen the factory band clamp at the front of the muffler. Using spray lubricant, lube the front and rear muffler hanger pins. Remove the muffler and tailpipe assembly from the vehicle (see **Figure 3**).

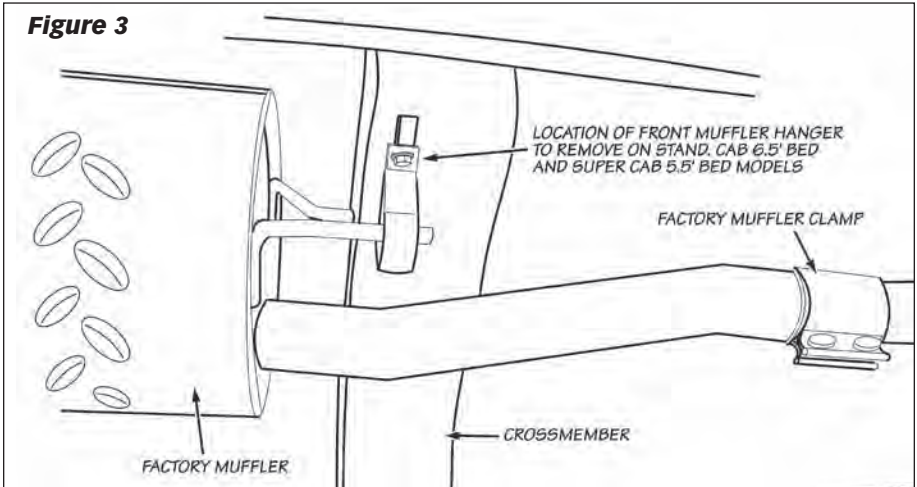
*NOTE: Removing the rubber hangers from the vehicle may assist in exhaust removal.*

**5.** If applicable, loosen the factory band clamp on the intermediate pipe. Using spray lubricant, lube the intermediate pipe hanger pins and remove the intermediate pipe from the vehicle.

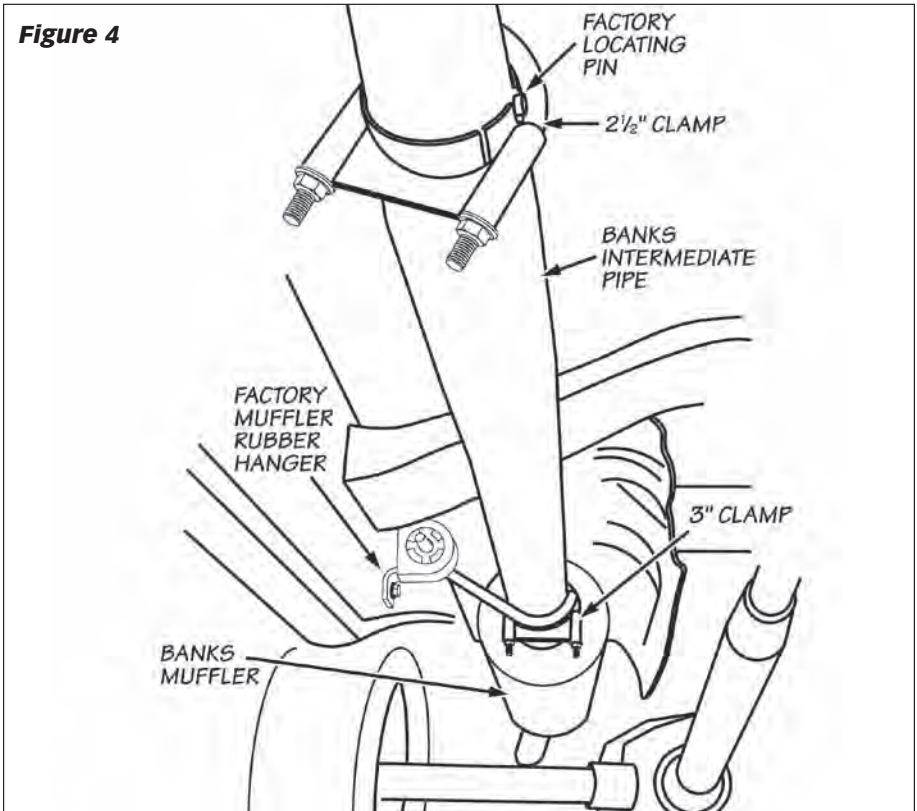
**6. FOR SC/MB AND EC/SB MODELS ONLY,** due to the enormous weight reduction of the Banks Exhaust



**Figure 3**



**Figure 4**



system, the factory muffler front rubber hanger will be removed for Std. Cab Medium (6.5') Bed and Ext. Cab Short (5.5') Bed models. Remove the factory M8x1.25 bolt on the rubber muffler hanger, and remove the rubber hanger from the vehicle (see **Figure 3**).

**7. FOR 2009-2010 SUPERCREW CAB MODELS ONLY**, Install a 2½" clamp onto the outlet of the factory pipe. Install the Banks intermediate pipe into the factory intermediate pipe outlet. Lightly tighten the 2½" clamp.

**FOR ALL OTHER MODELS**, Install a 2½" clamp onto the inlet of the Banks intermediate pipe. Install the Banks intermediate pipe onto the factory Y-pipe outlet. Orient the pipe onto the locating pin and lightly tighten the 2½" clamp (see **Figure 4**).

**8. FOR 2009-2010 SUPERCREW CAB MODELS ONLY**, install the 3" hanger clamp onto the muffler inlet. The Hanger pin should face the front of the vehicle. Install the hanger pin into the corresponding hanger. Install Banks Muffler inlet onto the intermediate pipe and lightly tighten the 3" hanger clamp.

**FOR ALL OTHER MODELS**, install a 3" clamp onto the muffler inlet. Install the Banks Muffler inlet (Note the inlet labeling of the muffler) onto the intermediate pipe and lightly tighten the 3" clamp.

**9.** Install a 3" clamp on the Banks Muffler outlet. Start the Y-pipe hanger pin into the corresponding vehicle rubber hanger. Install Y-pipe into the Banks Muffler Outlet (see **Figure 5**).

*NOTE: Install the rubber hanger pins to the vehicle frame if previously removed.*

**10. FOR TRUCK MODELS WITH STANDARD TOW HITCH PACKAGE**, On the left inside of the bumper, remove the two (2) bumper upper retaining nuts from the studs. Install the Left

Banks hanger bracket such that it is parallel with the ground. Reinstall the two (2) factory bumper nuts over the bracket and torque to 85 ft-lbs. Repeat this process for mounting the right hanger bracket. See **Figure 6**.

**FOR TRUCK MODELS WITH HEAVY DUTY TOW HITCH PACKAGE ONLY**, Install the supplied hanger bracket on the rear driver-side frame rail using the supplied hardware. Be sure the hanger pin is align parallel to the frame rail and torque the hardware to 48ft-lbs. Repeat this process for mounting the right hanger bracket. See **Figure 7**.

**11.** Install the two (2) supplied rubber hangers onto the two (2) Banks hanger brackets.

**12.** Install a 3" clamp onto each Y-pipe outlet. Install the driver-side tailpipe into the top Y-pipe outlet and hand tighten the clamp.

**13.** Install the passenger-side tailpipe into the lower Y-pipe outlet and hand tighten the clamp.

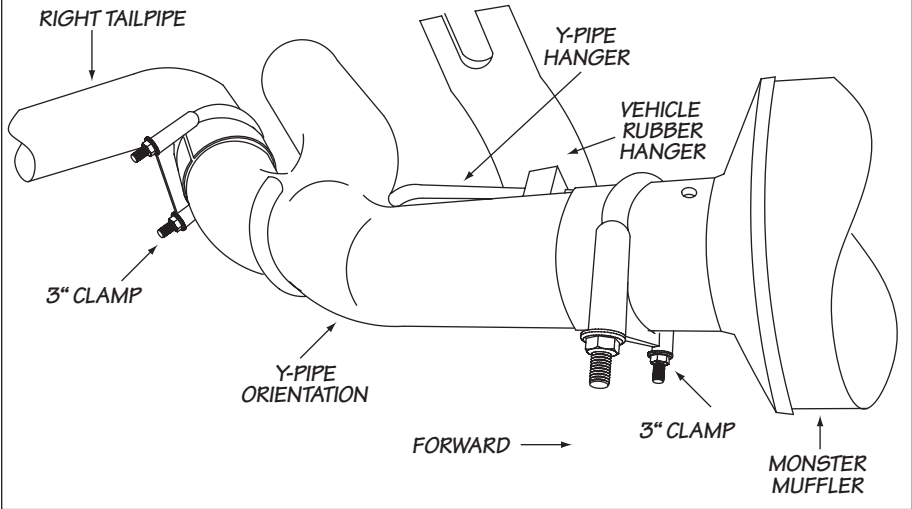
**14.** Install the 3" band clamp onto the outlet of the Left tailpipe and install the left tailpipe tip onto the left tailpipe. Install the driver-side tailpipe tip hanger into the rear rubber hanger. Keep the wrapping on until installation is complete. The tip and the clamp should be rotated so the clamp nut and drain hole are pointing down. Repeat this process for the right side tailpipe tip installation. See **Figure 7**.

**15.** Be sure that the two (2) tailpipes are completely engaged into the Y-pipe. Adjust your tailpipes so that the tips are symmetrical and 1" below the rear bumper. The hanger pins should be parallel with the frame-mounted pin and the rear rubber hangers are all slightly positioned forward (See **Figure 8**).

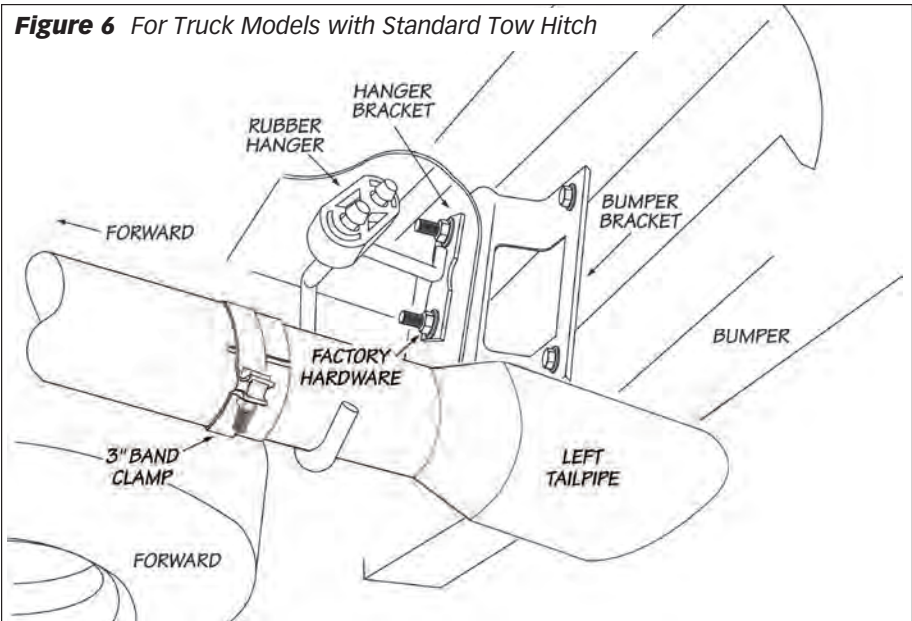
*NOTE: Recommended distance between exhaust tip and body is ½-inch to 1-inch.*



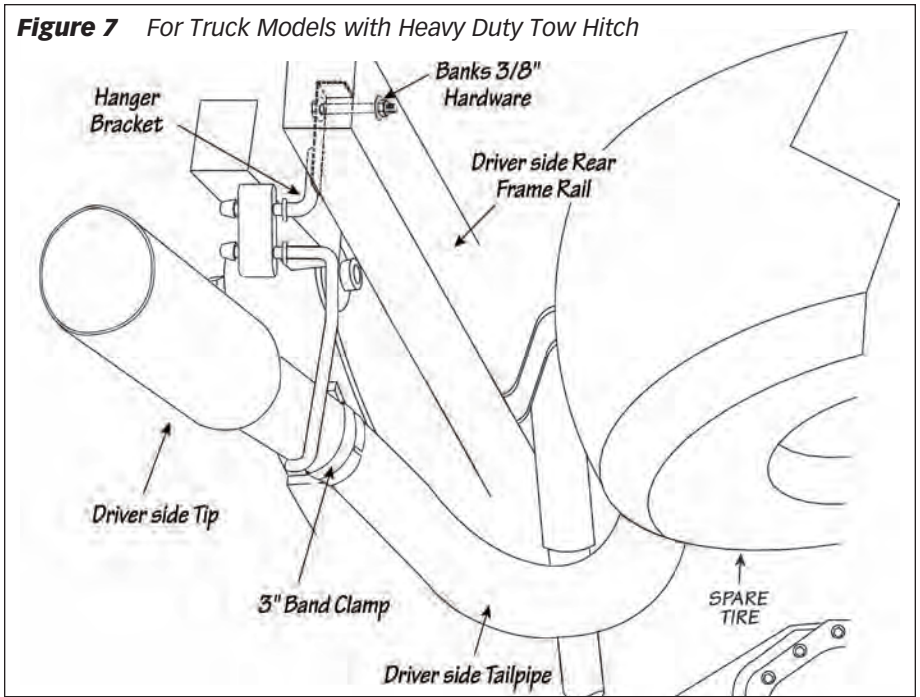
**Figure 5**



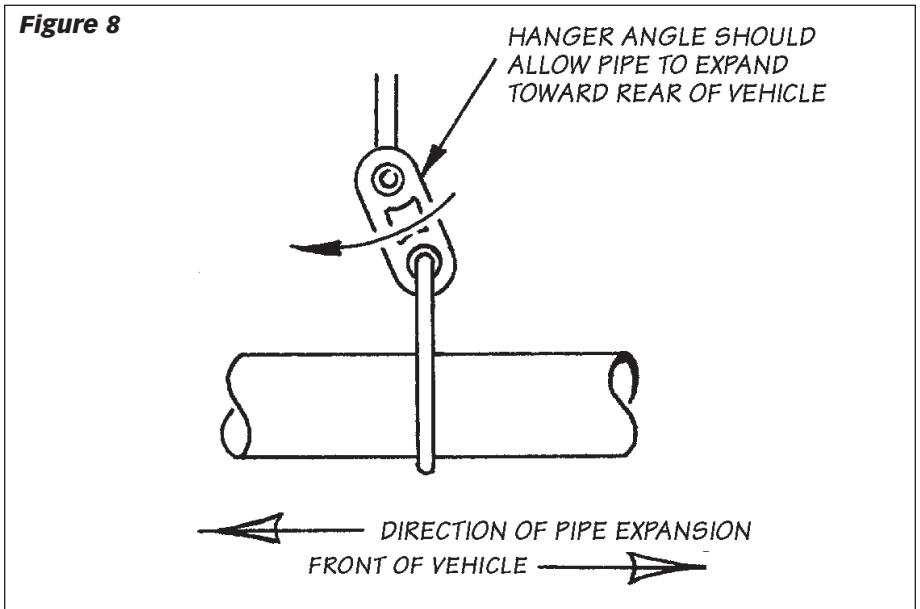
**Figure 6** For Truck Models with Standard Tow Hitch

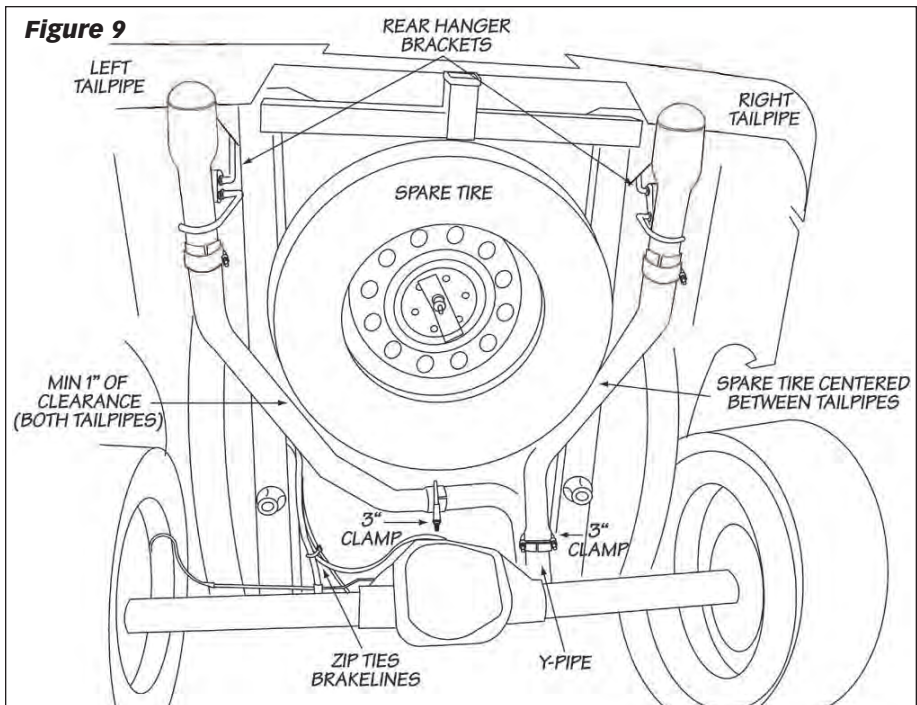


**Figure 7** For Truck Models with Heavy Duty Tow Hitch



**Figure 8**





**16.** Move the spare-tire to the rear of the vehicle and center between the dual tailpipes such that there is a minimum 1" of clearance around the spare tire. Tighten the spare tire with the manufacture tire tool so that it is retained into place (See **Figure 9**).

**17.** With the exhaust positioned properly, begin to tighten the clamps and hardware starting with the ones closest to the front of the vehicle and working your way back. Torque the exhaust clamps evenly to 35 ft-lbs. Make sure that each slip is fully inserted (+/-1/4"). Torque the rubber hanger factory M8 hardware to 22 ft-lbs. Zip tie the vent hose to the brake line if it is within 6" of the exhaust.

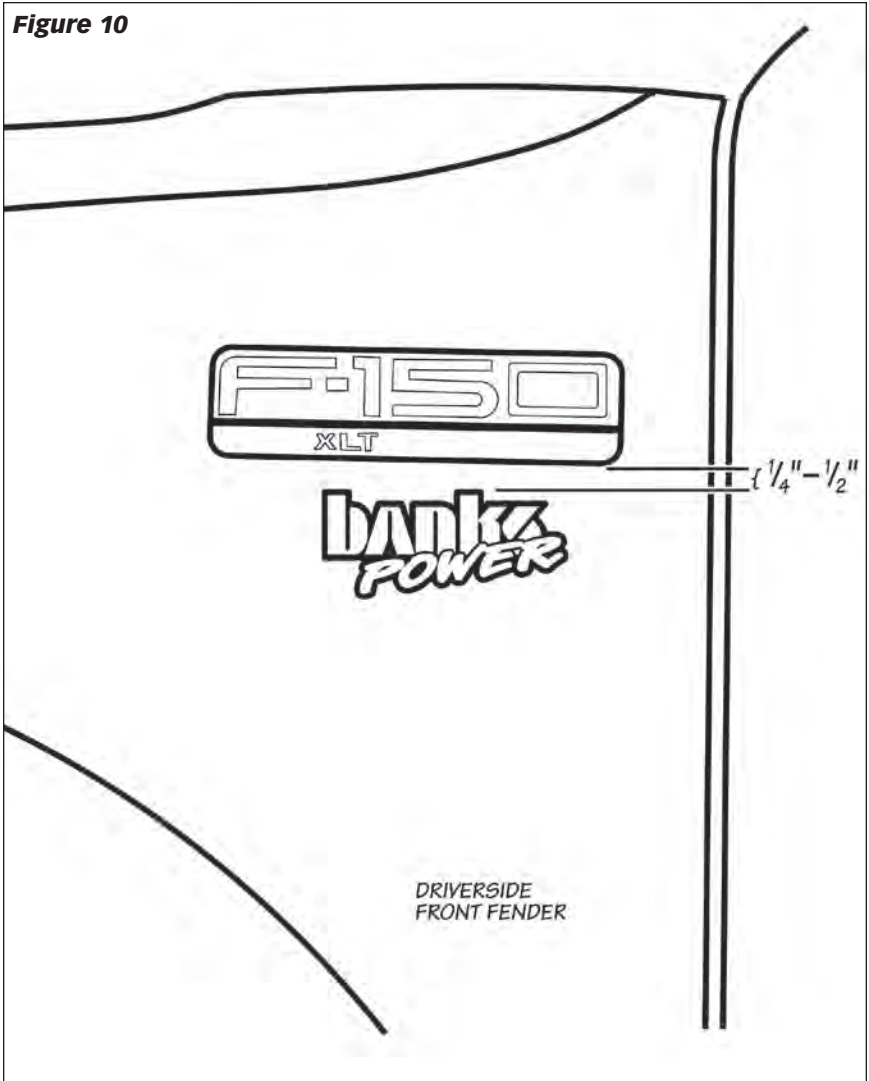
**18.** Remove the protective covering from the tailpipe tip.

**CAUTION: THE PROTECTIVE COVERING MAY IGNITE AND BURN IF NOT REMOVED PRIOR TO RUNNING THE ENGINE.**

**19.** Your system includes two (2) "Banks Power" logos designed to complement the Ford emblems on the vehicles front fenders. Use the provided measurements for a clean factory look (see **Figure 10**).

**20.** Re-connect the negative battery cable. Start the engine and listen for exhaust leaks. Tighten the exhaust clamps as necessary. Whenever possible, tack weld slip connections to prevent disengagement is recommended. The Banks Monster Exhaust installation is now complete.

**Figure 10**



Gale Banks Engineering  
546 Duggan Avenue • Azusa, CA 91702  
(626) 969-9600 • Fax (626) 334-1743

Product Information & Sales: (888) 635-4565

**bankspower.com**